

hidrotermal[®]

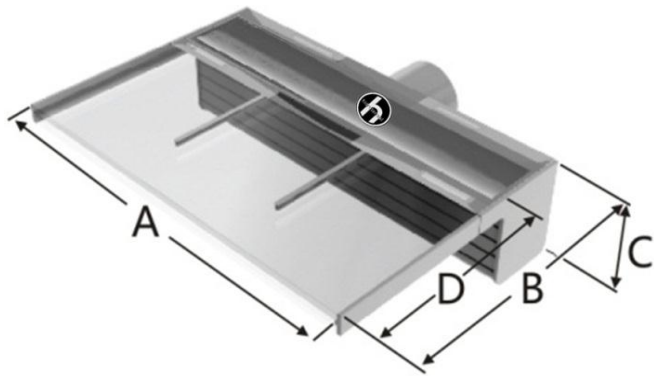
Acrylic Water Descent



USER MANUAL

(Keep this manual safe for future reference)

1. Water Descents Dimension



Dimension diagram

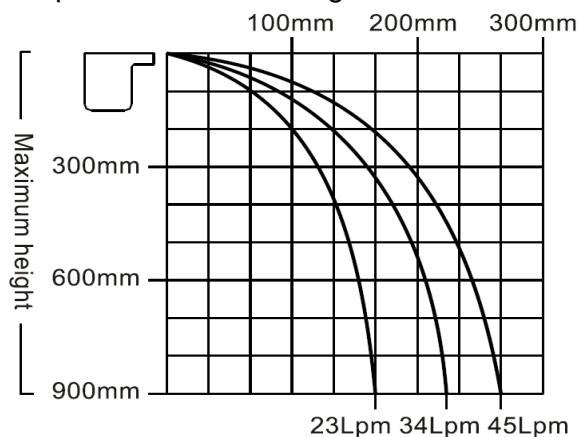


Model No.	A(mm)	B(mm)	C(mm)	D(mm)
Hidro-WD300L30	300	110	90	30
Hidro-WD600L30	600	110	90	30
Hidro-WD900L30	900	110	90	30
Hidro-WD1200L30	1200	110	90	30
Hidro-WD1500L30	1500	110	90	30
Hidro-WD300L125	300	205	90	125
Hidro-WD600L125	600	205	90	125
Hidro-WD900L125	900	205	90	125
Hidro-WD1200L125	1200	205	90	125
Hidro-WD1500L125	1500	205	90	125

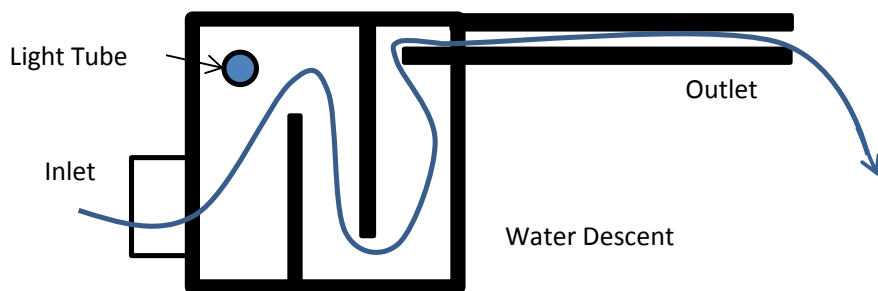
2. Water Descents Features

- Hidro Water Descents are designed to cater a wide range of sizes to suit various wall lengths and widths, they are suited for existing and new feature wall installation.
- The "Clear Overflow" construction requires no painting or no special covering to the face of the feature wall as can be easily stacked away, the "Clear Overflow" allows it to blend to your feature wall regardless of composition.
- Hidrotermal Water Descent will provide you with peaceful and relaxing sound of a running waterfall.

Approximate projecting of sheet of water per 300mm of waterfall length



3. Water Descents Specification



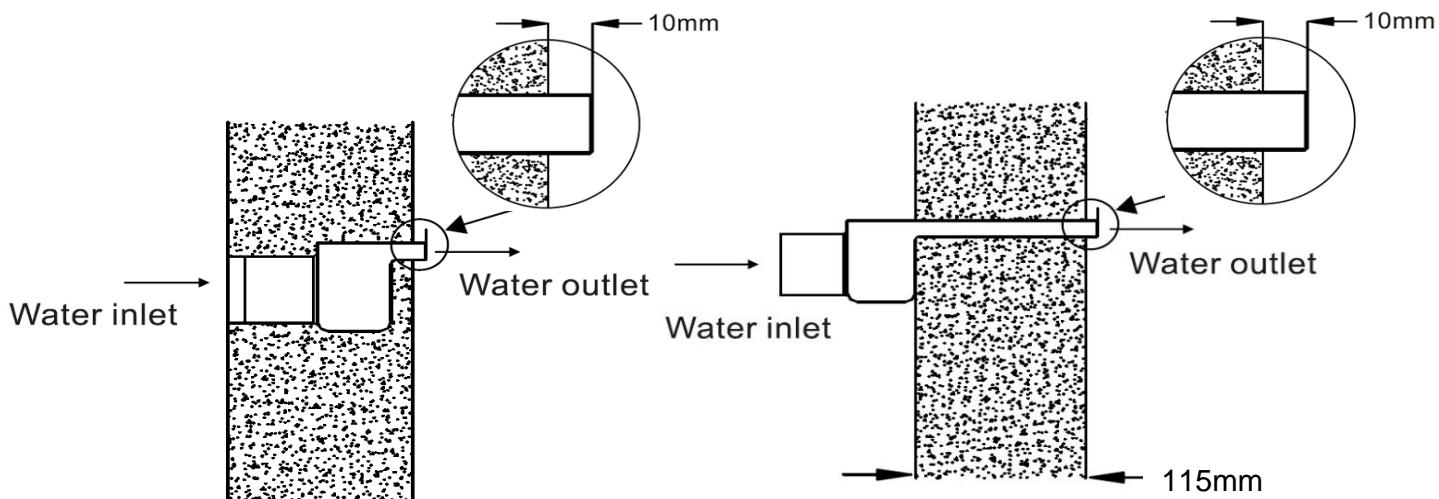
Important: Do not remove Grout Guard until the installation is complete

Do not leave unit in direct sunlight for long periods of time.

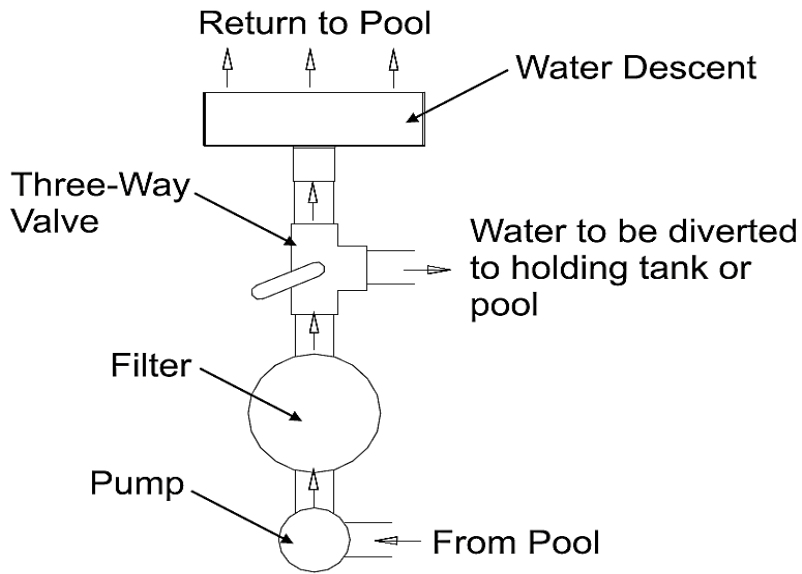
4. Water Descents Installation

- Installation must be done in compliance to your local ordinances and national regulations.
- Installation to be made by authorized personal only (E.G. licensed engineers, electrician and so on).
- Only filtered water should be used with this product, otherwise clogging within the product may occur and cause leakage.

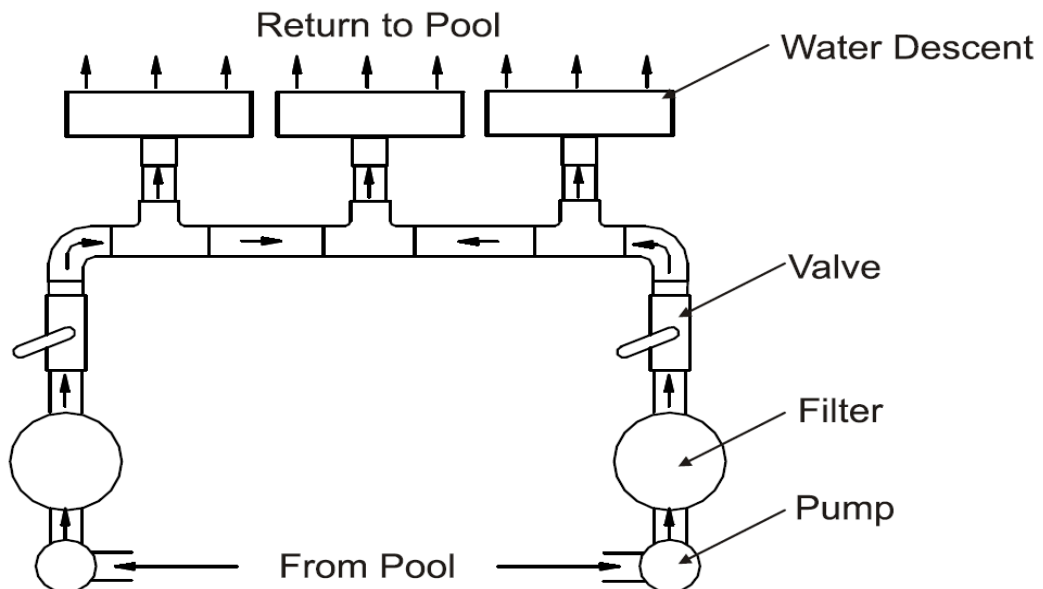
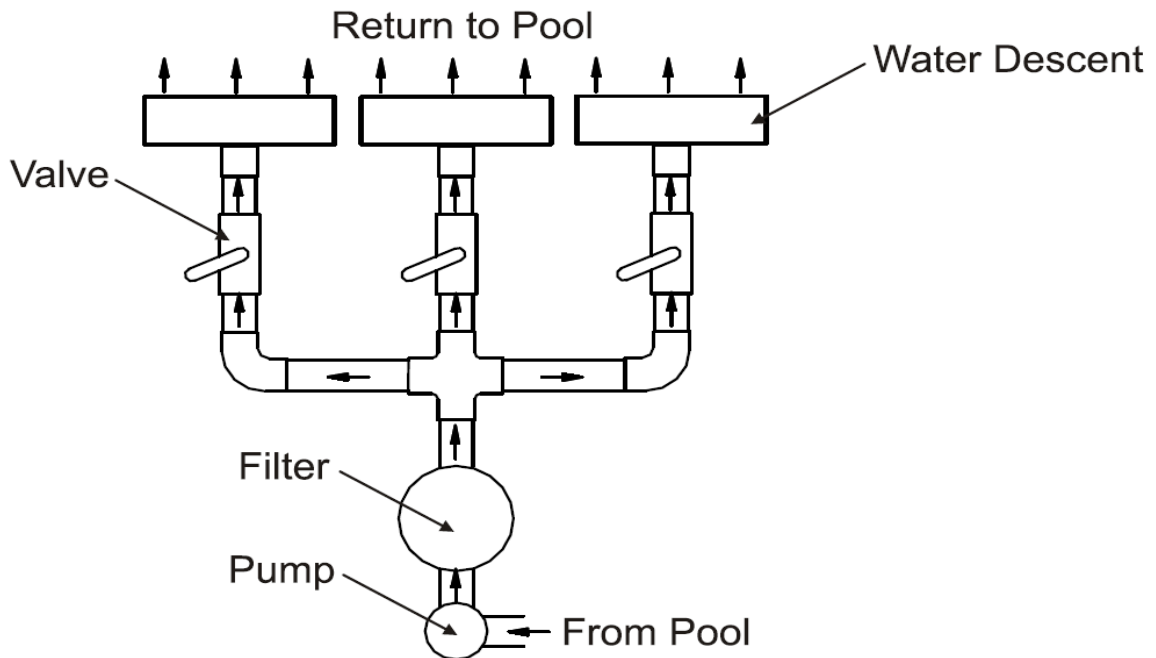
4.1 Existing Built Walls



4.2 Installation For Piping Single Unit With Ball Valve



4.3 Multiple Units With Ball Valve (It is best to valve each unit)



Warning: Only filtered water should be used with this product, otherwise clogging within the product may occur and cause leakage.