

hidrotermal[®]

CrayFish[®] Automated Cleaner Robot



USER MANUAL

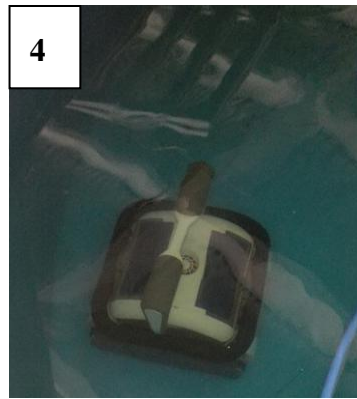
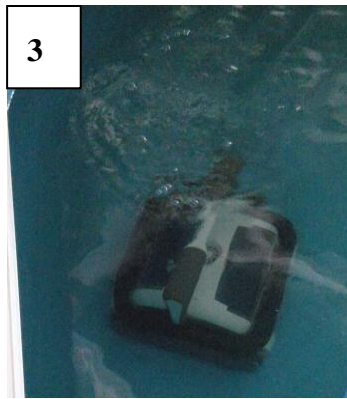
Note: Subject to update by manufacturer without notice in advance

Important Precautions

1. In order to prevent severe damage to the cleaner, never power on the unit when it is outside of the swimming pool.
2. The power cord must be connected to an appropriate earthed socket.
3. Do not operate the cleaner when people are in the pool.
4. Hold the top handle when putting the cleaner into water or lifting out of the water, do not pull the cable.
5. Before power on, make sure to empty the trapped air inside the cleaner (no more air bubbles coming from the cleaner and the cleaner is fully submersed on the pool bottom).
6. Before power on, make sure the filter be assembled in position and cable be fully released to avoid any winding, which could affect the cleaner's performance or cause damage.
7. Remote control should be hold vertically for a maximum control distance.
8. Please clean and wash the filter bag every time after use.
9. The cleaner should be stored in a cool and ventilated place, away from direct sunlight when not in use.
10. The power supply unit should be placed in a shaded area during working. In order to avoid overheating and potential damage of components, never cover the power supply unit.
11. Only authorized after sales service personnel should open the cleaner's power supply unit and motor assembly, otherwise the warranty will be invalidated.
12. In order to avoid any accident/damage, it is strongly recommended to connect the caddy with a fixed holder beside the swimming pool by using the safety rope (included in the package).
13. Do not use the cleaner beyond the working environment/conditions stated in this manual.
14. After power off the machine, must wait until at least 30 seconds to restart it.
15. For different season different density of the filter net need to be chosen. More detail please contacts your local distributor.
16. This machine is for clean the pool only not for other purpose.

17. It may cause minor pollution in case of the leaking from the oil seal.

When put the cleaner into the water please make sure hold the top handle make sure to empty the trapped air inside, then the cleaner can immerse into the pool floor.



When pulling cleaner out of water suspend the cleaner above water for about 10-15 seconds to empty the water inside. Please holds the top handle only, never pull the cable.



Content

I. Introduction.....	P 4
II. Safety.....	P 4
III. Specifications.....	P 5
IV. Operation.....	P 6
V. Instruction of installing the caddy.....	P14
VI. Packing List.....	P15
VII. Warranty	P16

I. Introduction

The Hidrotermal crayfish[®] automated cleaner robot is a new type of highly efficient and energy-saving swimming pool cleaning robot. Through its advanced computer controlled program, it can clean the pool walls and bottom automatically. At the same time, it filters the pool water and gets rid of suspended particles without replace the pool water. It's total environmental-friendly.

For safe operation, the cleaner works on 24V direct current. Please read this user manual carefully before use.

II. Safety

1. Power supply unit position:

Power supply unit need to be placed in proper position so as to reach the distal end of pool for the cleaner, meanwhile as least 3.5m from pool edge.

2. Important:

Before power on, make sure local voltage/frequency matches the rated voltage/frequency of the cleaner.

III. Specifications

1. Rated input voltage: 220VAC (230VAC)/ 110VAC (120VAC)
2. Frequency: 50Hz/60Hz
3. Output voltage: DC24V
4. Power: 200W
5. Remote control frequency: 433M
6. Cable length: 20/30/40M
7. Roller length: 465mm
8. Roller Style: PVC Roller, PVC+ Sponge Roller
9. Max cleaning area: Appr. 270 m²
10. Flow rate: 20m³/h
11. Filter net density: 180um (250um optional)
12. Pool water temperature: 10°C-40°C
13. Moving speed: MAX 12.5m/min
14. IP grade: Cleaner IPX8
Power supply unit IPX5
15. Cleaner weight: 12.5kg (Without cable)





IV. Operation


4.1 Panel



Fig 4-1

NO.	SIGN	INDICATE	FUNCTION
1	ON/ OFF	Switch on or Switch off	<p>Press this button machine will be switched on.</p> <p>Press this button twice machine will work under selected mode.</p> <p>Press this button third time machine will be switched off.</p>

2	MODE	Mode options	Choose different mode for different purpose.
			<p>“ALL” mode is let machine clean swimming pool floor wall and water line together.(once wall then once floor)</p>
			<p>“WALL” mode is let machine clean swimming pool wall only.</p>
			<p>“FLOOR” mode is let machine clean swimming pool floor only.</p>
	<p>“ALL + FLOOR” mode is let machine clean the swimming pool floor three times then climb wall once.</p>		

3	TIME	Working duration option	Different working duration for different purpose.
			1H 2H 3H indicate different working duration

4	Indicator	Indicate the machine status		
		Working status	Two or three indicators on	Machine stopped
			1H flash slowly	Machine running for 1 hour
			2H flash slowly	Machine running for 2 hour
			3H flash slowly	Machine running for 3 hour
			ALL light on	Working under mode ALL
			WALL light on	Working under mode WALL
			FLOOR light on	Working under mode FLOOR
			ALL+ FLOOR light on	Working under mode ALL-FLOOR
			ALL>>WALL>>FLOOR flash in order	Manual: forward
			FLOOR>>WALL>>ALL flash in order	Manual: backward
			3H>>2H>>1H flash in order	Manual: left turn
			1H>>2H>>3H flash in order	Manual: right turn
All lights flash slowly	Auto run finish			

4.2 Diagnose:

	INDICATOR	MEANING	SUGGESTION
Diagnose	1H flash quickly with buzz.	Machine out of water	Put machine back into water or wait until machine restart automatically
	All lights flash quickly with buzz	Control box over load	Stop machine contact after sale service person
	1H+2H+3H flash quick with buzz	Seal box leaking	Stop machine contact after sale service person
	ALL+1H flash quick with buzz	Pump over load	Stop machine check the impeller and pump
	WALL+2H flash quick with buzz	Walking motor 1 over load	Stop machine check belt and transmission system
	FLOOR+3H flash quick with buzz	Walking motor 2 over load	Stop machine check belt and transmission system
	ALL+WALL+1H+2H flash quick with buzz	Cleaner present abnormal voltage	Stop machine contact after sale service person
	ALL+WALL+FLOOR flash quick with buzz	Abnormal communication	Check the cable between cleaner and control box or contact the after sale service person
	WALL+FLOOR+2H+3H flash quick with buzz	Machine out of water and could not restart	Stop machine restart machine manually after cleaner sink
	WALL flash quick with buzz	Machine turned over	Turn over machine manually

4.3 Remote control

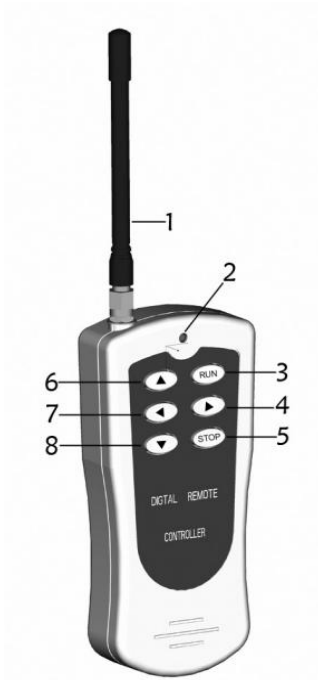


Fig4-3 remote control

NO.	SIGN	INDICATE	FUNCTION
1	ANTENNA		Signal reception
2		Indicator light	
3	RUN	Working automatically	Press this button machine will working automatically
4	▶	Right turn	Keep press this button machine will turn right
5	STOP	Stop working	Press this button machine will stop working
6	▲	Walking forward	Press this button machine will stop walking forward
7	◀	Left turn	Keep pressing this button machine will turn left
8	▼	Walking backward	Press this button machine will stop walking backward

attention: ▶ & ◀ button need to be pressed constantly

4.4 Clean the filter tray

Lift the tray handle up (Fig:4-5)

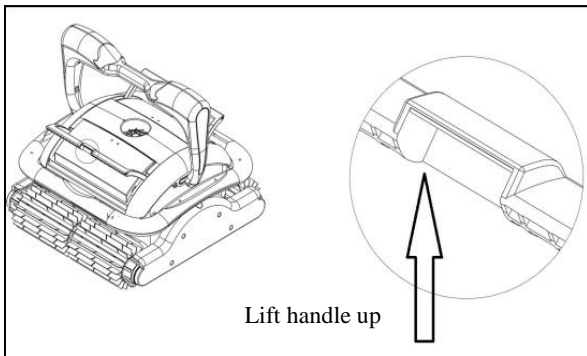


Fig4-5

Take out the filter tray (Fig4-6)

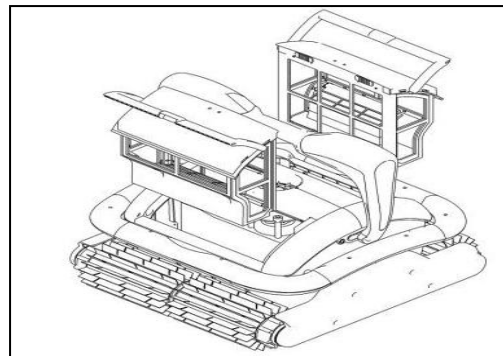


Fig4-6

Slide the clip to open the tray (Fig 4-7)

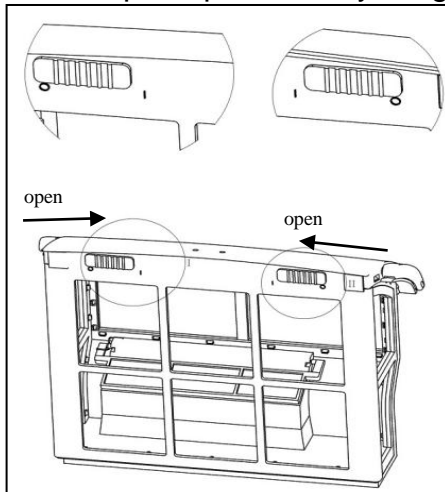


Fig4-7

Take the slides off (Fig4-8)

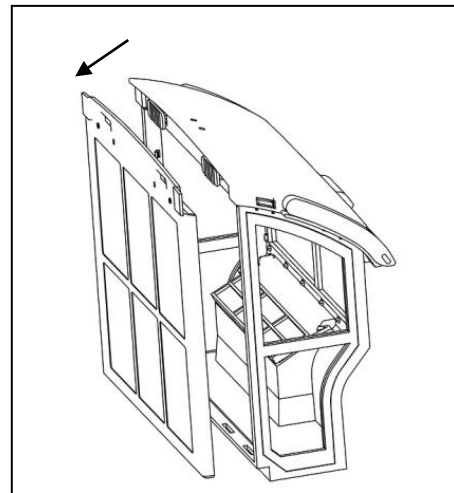


Fig4-8

Clean the tray (Fig4-9; Fig4-10)

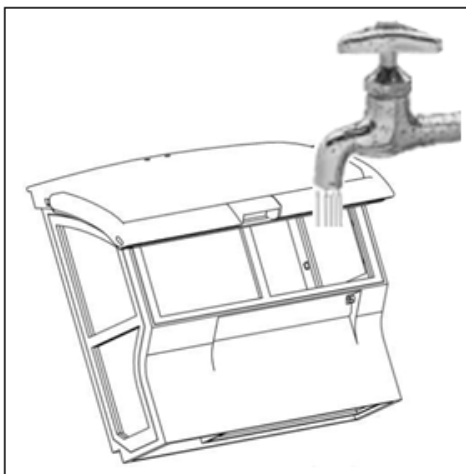


Fig4-9



Fig4-10

4.5 Put the filter tray back

Machine have a slide way to lead filter tray back into the cleaner, and clip the handle in position perfectly (Fig 4-11、 4-12、 4-13) .

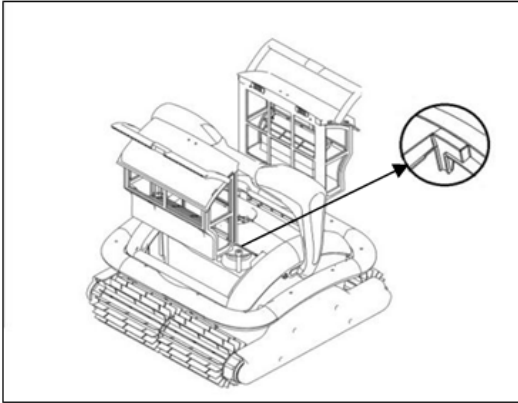


Fig4-11

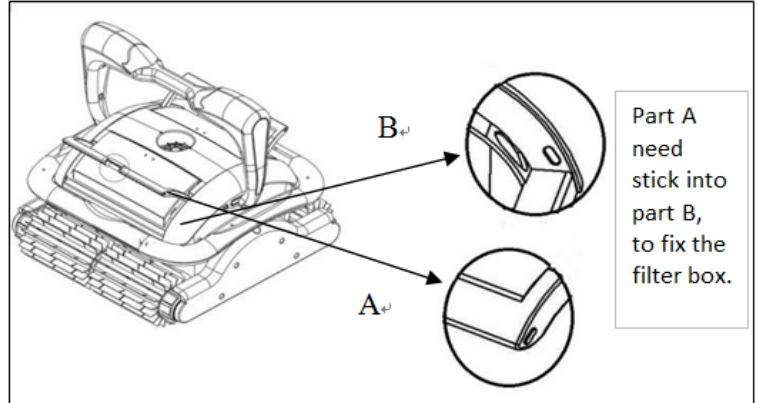


Fig4-12

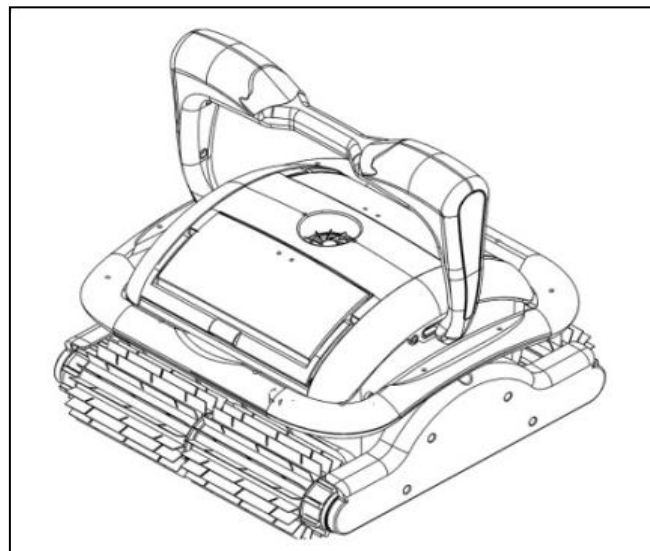


Fig4-13

V. Instruction of installing the caddy

1. Open the package for assembling



2. Put the Connection part onto the plate



3. Insert the wheel axle,



4. Assemble the protecting cover and axle cover



5. Assemble wheel



6. Put on the nut



7. Tighten the nut.



8. Assemble the top handle



9. Assemble power unit holder



10. Assemble cable holder



VI. Packing list

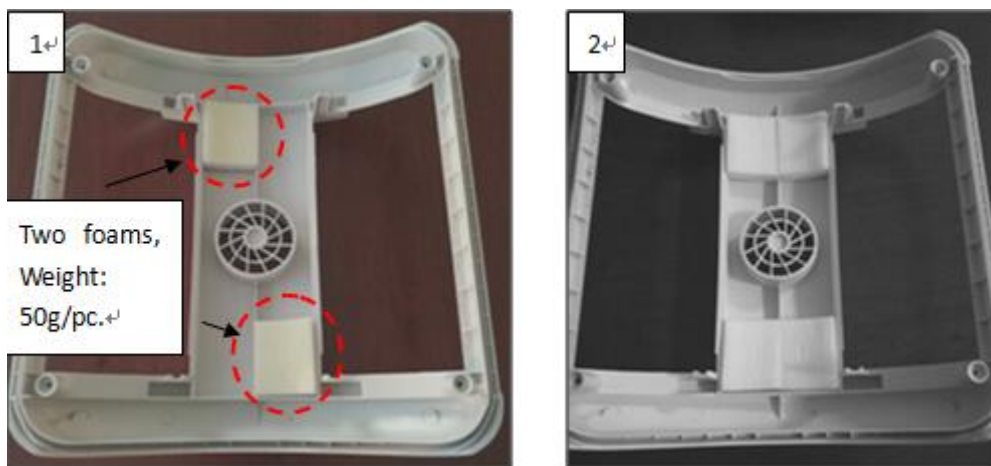
Item		Name	Model	Quantity (pc)	Note
1	Cleaner	Cleaner		1	In Carton
2		Power supply unit		1	In Carton
3		Manual and certificates, etc.		1	Big Plastic Bag
4		Filter bag		2	Big Plastic Bag
5		Safety rope		1	Big Plastic Bag
6		Battery	23A	1	Mini Plastic Bag
7		Antenna		1	Mini Plastic Bag
8		Remote control		1	Mini Plastic Bag
9	Plastic caddy (As required)	Top handle		1	In Carton
10		Connection part		1	In Carton
11		Plate		1	In Carton
12		Power supply holder		1	In Carton
13		Cable holder		1	In Carton
14		Wheel axle		1	In Carton
15		Wheel		2	
16		Nut	M10	2	Mini Plastic Bag
17		Axle cover		2	Mini Plastic Bag
18		Protecting cover		2	Mini Plastic Bag

Foam installation

Attention: This foam is an extra assistant device which uses only for very specific situation: in case the robot in water is too weight to climb wall. if your robot is in good performance, please ignore this instruction.

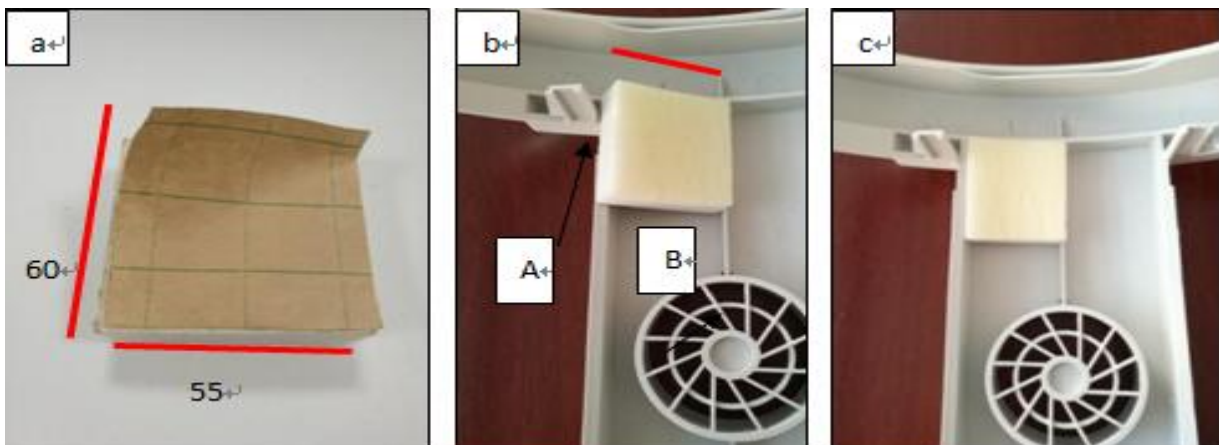
Solution 1: Dismantle the top cover and stick two foams on its reverse surface (see picture 1), make sure the two foams are on the diagonal of the middle part of top cover. No need to stick more if the cleaner could clean the water line after this step.

Solution 2: Stick two more foams (see picture 2) if the cleaner still cannot clean the water line after the operation according to solution 1.



Steps to stick foams:

1. Peel off the paper from the foam (picture a).
2. Pay attention to the dimension of foam (picture b).
3. Press the foam from edge B to edge A to finish the installation (see picture c).



VII. Warranty

This product has passed all quality control and safety tests, conducted by the technical department of the factory.

Warranty information:

1. Warranty period is 2 years from the date of delivery and is settled in accordance with the terms established by Directive 1999/44/EC of 25th of May regarding guarantees on the sale of consumer goods as well as the local law in the Country of Purchase within the European Union.
2. This warranty is void if the product has been altered, misused, or has been repaired by unauthorized personnel.
3. The warranty extends only to manufacturing defects and does not cover any damage resulting from mishandling of the product by the owner.
4. The sales invoice must be presented for any claim or repair during the warranty period .

Please contact your local dealer for any warranty issues.



Environmental Programmes, WEEE European Directive



Please respect the European Union regulations and help to protect the environment.

Return non-working electrical equipment to a facility appointed by your municipality that properly recycles electrical and electronic equipment. Do not dispose them in unsorted waste bins.

For items containing removable batteries, remove batteries before disposing of the product.