

hidrotermal[®]

SAUNA HEATER

With Digital Display External Controller



USER MANUAL

1. Sauna heater Specifications

Product Not Including Sauna Stone		Sauna Room Size			Min. Distance to heater		
		CBM		Height	A	C	D
Model	Power	Min.	Max.	cm	Min.mm	Min. mm	Min. mm
Hidro-HX45B	4.5 kw	3	6	110	80	280	100
Hidro-HX60B	6.0 kw	5	9	110	100	280	150
Hidro-HX80B	8.0 kw	8	12	110	130	300	200
Hidro-HX90B	9.0 kw	9	13	110	130	300	200

Table 1

2. Installation

Install the sauna heater onto the wall with the screw provided in the heater, according to the minimum safety distances and volumes indicated in table 1 and figure 1, or on the plate of the heater.

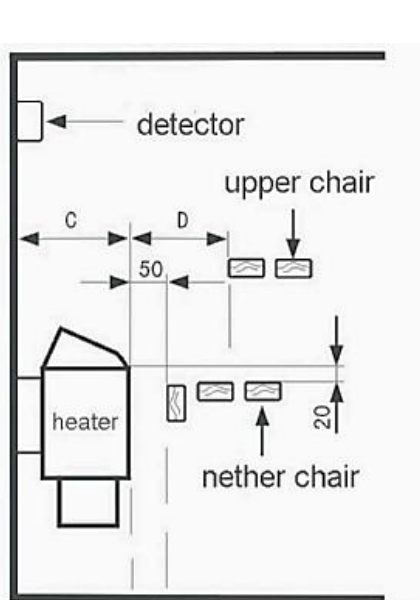


Figure 1A

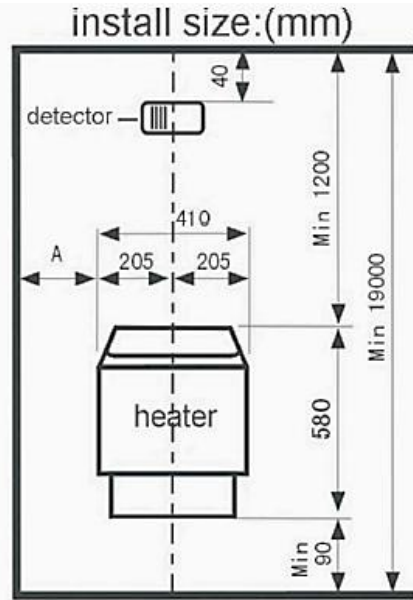


Figure 1B

1) The heater can be installed in the wall recess at the minimum height of 1900mm.

2) Do not cover the wall behind the heater with materials like asbestos or eternity plates etc., because this sort of covering protection could cause too temperature and a risk of burn.

3) Must use qualified materials for the walls and ceiling.

3. Guard Rails

Please follow the minimum distances requirements in figure 2 if guardrails are desired around the heater.

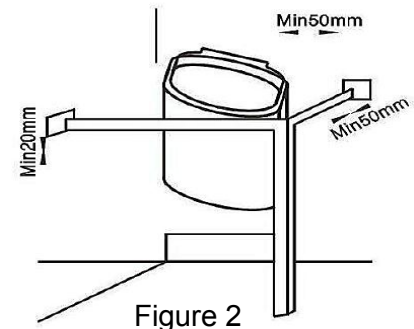
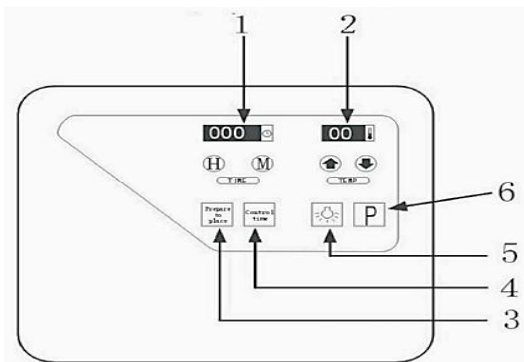


Figure 2

4. Digital display Controller

This controller is splash proof. You can install it near the sauna room. Temperature detector must install on inside room wall. please install according to the diagram to prevent burning the wood wall.



1. Time
2. Temperature
3. Power-on by alarm
4. Power-off by alarm
5. Light power switch
6. Confirm button of timing

Note:

1. Temperature setting range: 35 °C~120°C.
2. Once the detected temperature exceed the target temperature, the machine will stop heating.
3. If the detected temperature exceed 120 °C, the machine will enter the ultra-high temperature protection, will not heating. If exceed 140 °C, the machine will cut off the power automatically, and the

5. Usage of heater operative mode switch and time/temp control

A. Proofread time: Press H to adjust hour. After several blinking, it will confirm automatically. The same as M to adjust minutes.

B. Power-on by alarm: (at most 24 hours)

Pressing prepare to place, then pressing H, M button to set time. It will confirm automatically after several blinking.

C. Power-off by alarm:

Press control time button, the display will blinking and then adjust power-off time (at most 5 hours, at least 1 minutes). It will confirm automatically after several blinking.

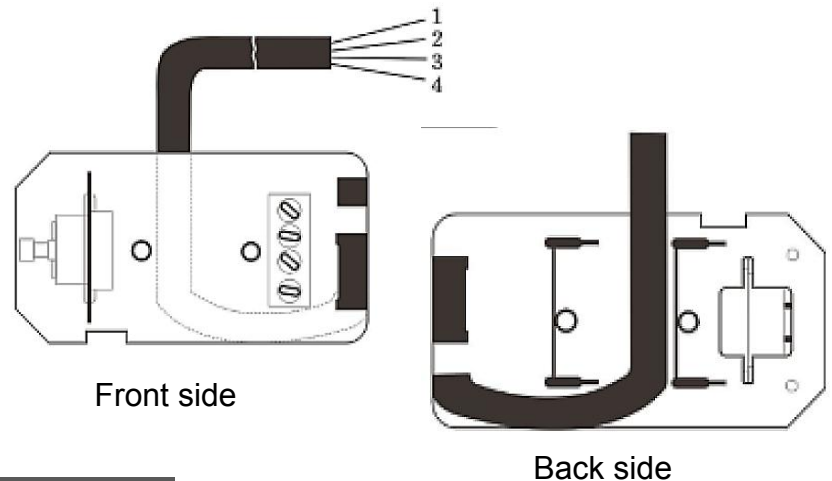
D. After power on, press P button to let temperature work, use +/- button to adjust temperature. Do not under timing control.

6. Temperature detector

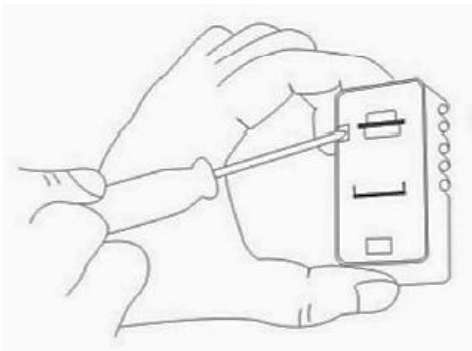
For the recommendation of the minimum installation distances, please see installation diagram of sauna heater for details.

A heater resistant cable of 3 meters long is provided, which can be extended to the outside of sauna room by normal weak current cables.

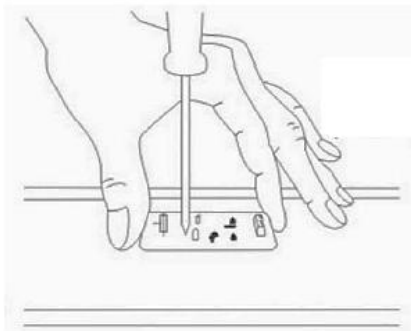
For cables connection of the thermostat, please see the following figure.



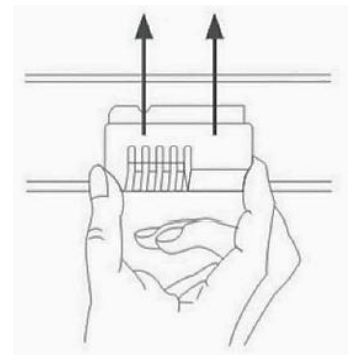
7. Installation of temperature detector



(1) Use screwdriver to remove the cover at the edge of the



(2) Fix the detector circuit board upon the sauna heater



(3) Fix the cover on the detector circuit board.

8. Limit control

If the temperature is too high inside sauna room like the temperature controller break down, the temperature limiter in the temperature detector will cut power off and reset automatically after trouble

9. Power connection

A. Connect the phase line to controller power input end L1, L2, L3 respectively. Null line (neutral line) connect to input end N, protective earth wire attach to ≡ .

B. Use the heat resistant conductor to connect the controller power output and with the heater input end according to the same symbol.

10. Put sauna stone

After installing the sauna heater and controller, put appropriate sauna stone (10~15kg) on heater.

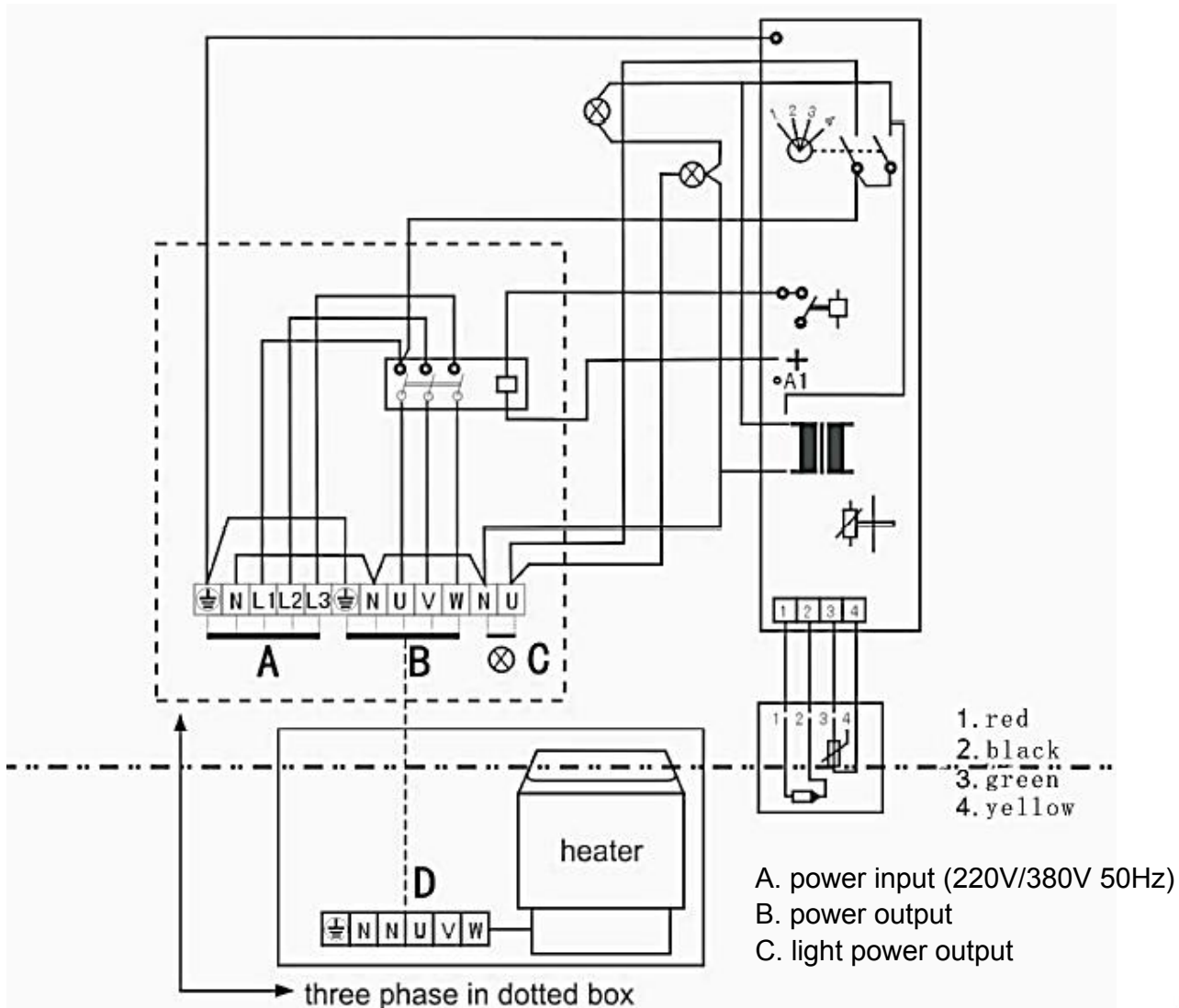
Notice: It's high temperature inside heater, so must use superior sauna stone. The poor heat resistant sauna stone will crack after heating and watering and damage the sauna heater. Or to be readily and block the heat circulate then damage the heater.

11.Warning

- Electrical shock hazard-there are no owner serviceable parts in sauna heater. To avoid electrical shock hazard, all installations and relevant services shall be performed by qualified personnel.
- Sauna shall be less than half an hour. Bathing too long may cause heart beating too fast, light heartache, feeling weak or dizzy. Should the bather stop bathing immediately as soon as the above symptoms occur.
- Sauna bath may cause tension to the bather. Thus, one who is one of the followings should be directed by physician:

A. Being pregnant	B. Having heart disease	C. Having high blood pressure
D. Having circulation system disease	E. After drinking	F. After taking medicine
G. Diabetes	H. Not feeling well	
- Children must be under the company of adult in taking sauna bath.
- Risk of scald: Must not touch the sauna heater or trim during heating, as it is hot. Stay at least 30cm away from the hot heater.

12. Connection draft



13. Error Code and Corresponding

Error code	Reason of error	Remark	Solution
E0	Alarm on the Circuit board is damaged	Alarm on the Circuit board is damaged	Need change the controller circuit board.
E1	The light in the sauna room is damaged.	The light in the sauna room is damaged, no lighting.	Need change the light in the sauna room.
E2	The heating tube of the sauna heater machine is damaged.	The sauna heater machine will not work.	Need contract with the supplier to check the machine and change the heating tube.
E3	Button scan is damaged.	There is no reaction when push the controller button.	Need change the controller circuit board.
E4	Open circuit in temperature detector connection.	Open circuit in temperature detector connection.	Need check the cable connection of the temperature detector, and make sure the connection is right.
E5	short circuit in the temperature detector connection.	short circuit in the temperature detector connection.	Need check the cable connection of the temperature detector, and make sure the connection is right.
E6	Temperature detector enter the ultra-high temperature protection.	The temperature of the sauna room is too high.	The sauna heater will stop heating and cut off the power automatically, once the detected temperature lower than 120°C, the machine can restart work.
E7	Sauna room enter the ultra-high temperature protection	The temperature of the sauna room is too high.	The sauna heater will stop heating and cut off the power automatically, once the detected temperature drops to 120°C, the machine can restart work.
E8	The temperature detection in the sauna room is damaged.	The temperature detection in the sauna room is damaged.	Need change the temperature detection.

